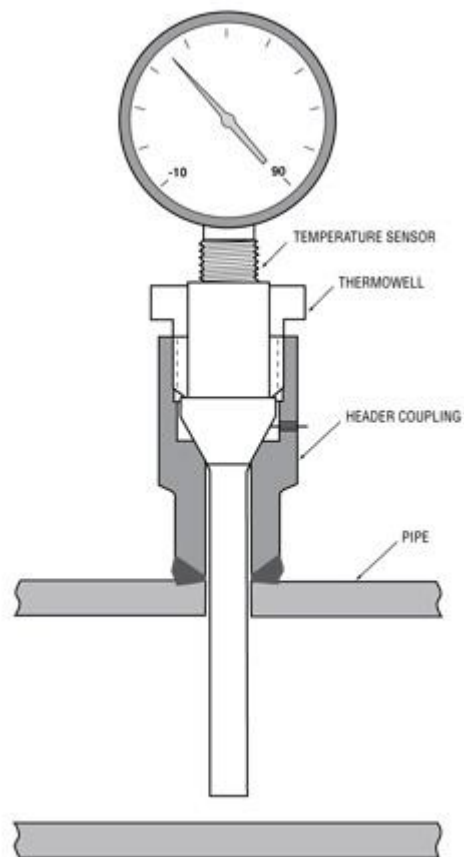




Thermowells

Autoclave Engineers thermowells are used to provide isolation between a temperature sensor and the environment, such as liquid or gas. Used for applications in petrochemical, chemical, refining, power, and other process industries.



Thermowells : ▶ Accessories
Sensor thermowells

FEATURES

- Thermowells rated to 20,000 psi (1379 bar)
- 1" medium pressure connection
- Standard material 316 SS
- Machined from solid bar stock
- Special lengths available

BENEFITS

Thermowells protect the sensor from pressure, corrosion, abrasion, or vibration caused by the process medium. Thermowells allow the sensor to be removed and replaced without compromising either the ambient region or the process.

